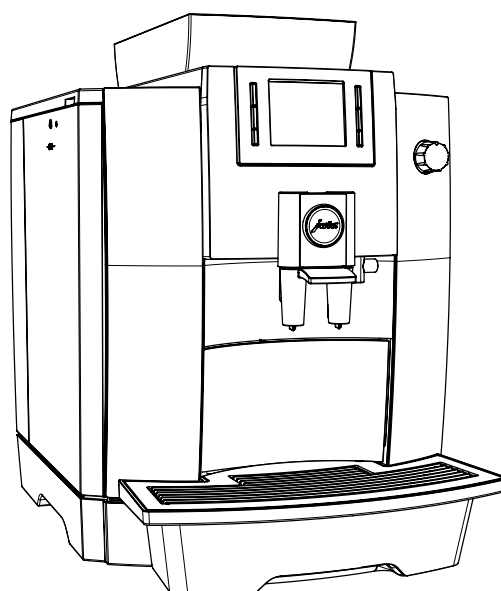


## Technical documentation

### WE6



#### Supplied as standard

- Automatic speciality coffee machine
- CLARIS Pro Smart filter cartridge
- Welcome Pack:
  - Instructions for use
  - Cleaning tablets

#### Requirements for installation location

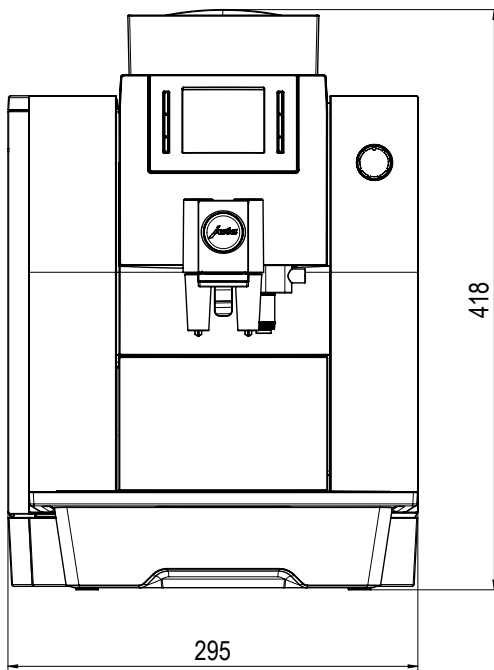
- Horizontal surface that is not sensitive to water
- Ambient conditions:
  - Air humidity max. 80%
  - Ambient temperature 10–35°C

**i** The required connections at the customer's premises must be carried out by an approved **qualified person** before the JURA service technician can set up the GIGA at your chosen location.

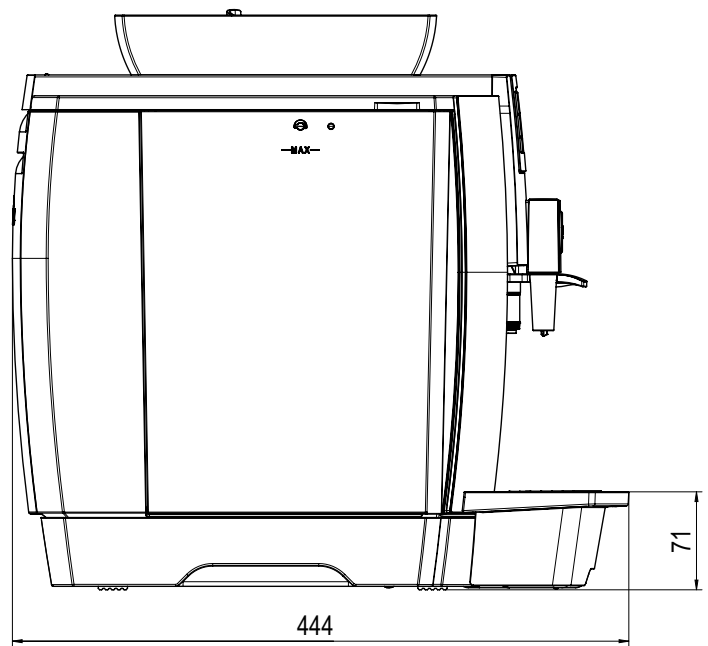
**i** Please make sure that the building connections are as close as possible to the location of the machine (refer to length of connection pipes).

Always note the information in the instructions for use for your coffee machine (Chapter 1 "Preparing and using for the first time" – "Requirements for first-time use" / "Setting up the machine").

## Dimensions



Outline



Side outline